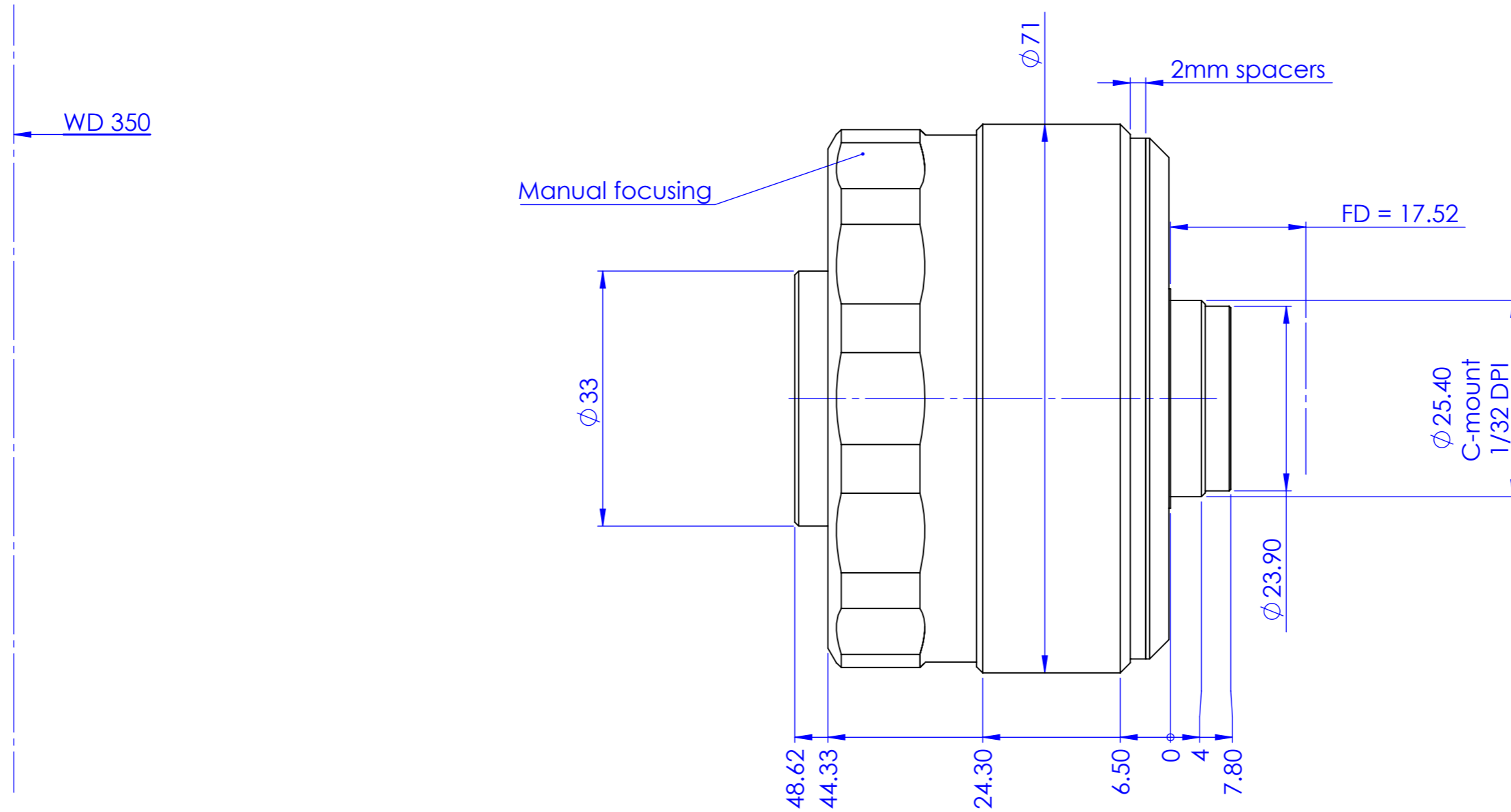


Minimum working distance 350mm

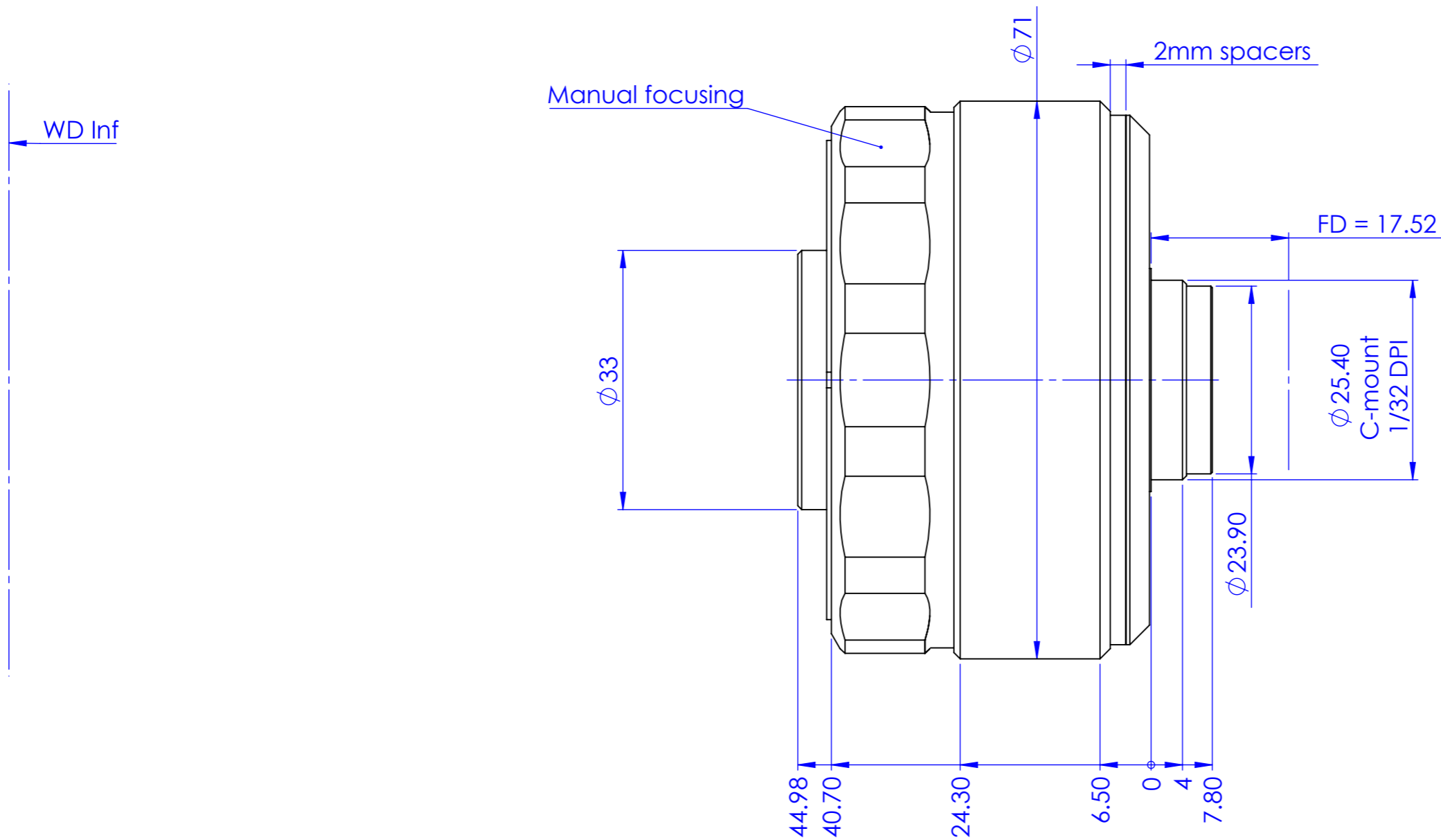


Rev.	Author	Description	Date	Approved by
B	Vasconetto	Added information	23/01/2020	Vasconetto

Material		N.A.		Mass		g		Scale		1.5:1	
Surface treatment		N.A.		Part No.		CO71263					
Geometrical tolerance (ISO 2768-2)				Class	K	Undimensioned bevels		0.5x45°			
Linear tolerance (ISO 2768-2)				Class	m	Undimensioned radii		R 0.5			
0.5 ±3	>3÷ 6	>6÷ 30	>30÷ 120	>120 ±400	>400÷ 1000	>1000 ±2000	>2000 ±4000	Description		SW03520	
±0.1	±0.1	±0.2	±0.3	±0.5	±0.8	±1.2	±2	Drawing No.		DP 71263-B	
 OPTO ENGINEERING S.r.l. - Mantova Italy - Tel. +39 0376 699111 - www.opto-engineering.com		Date		Name		Drawing No.		Sheet			
		Designed		Rodella		DP 71263-B		1/3			
		Drawn		Rodella							
		Checked		Vasconetto							
<i>Secret and confidential - All rights reserved - No copy, dissemination or circulation is allowed unless specifically authorized in writing by OPTO ENGINEERING S.r.l. - Any violation shall be legally prosecuted.</i>											

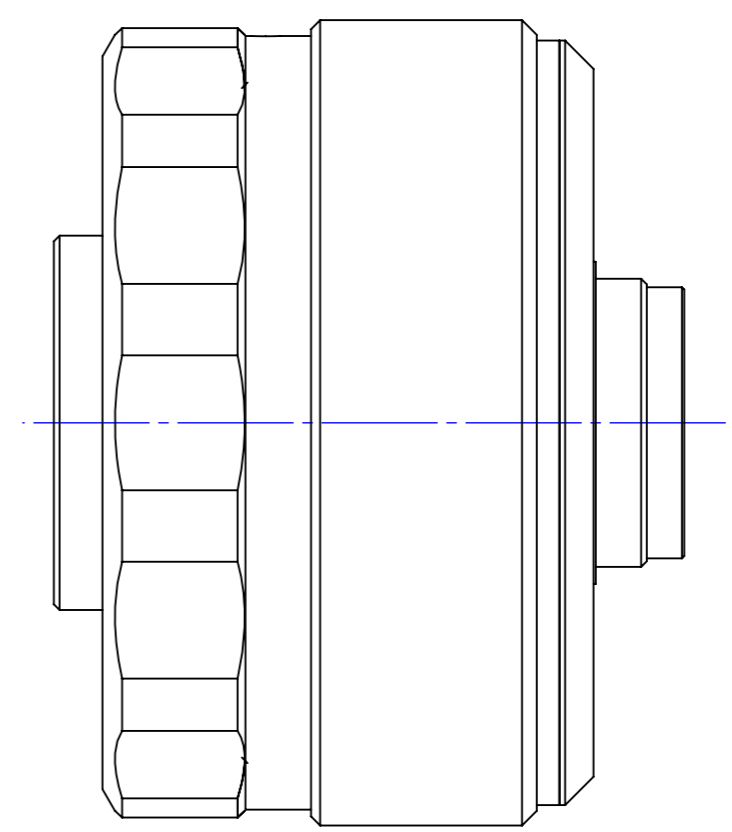
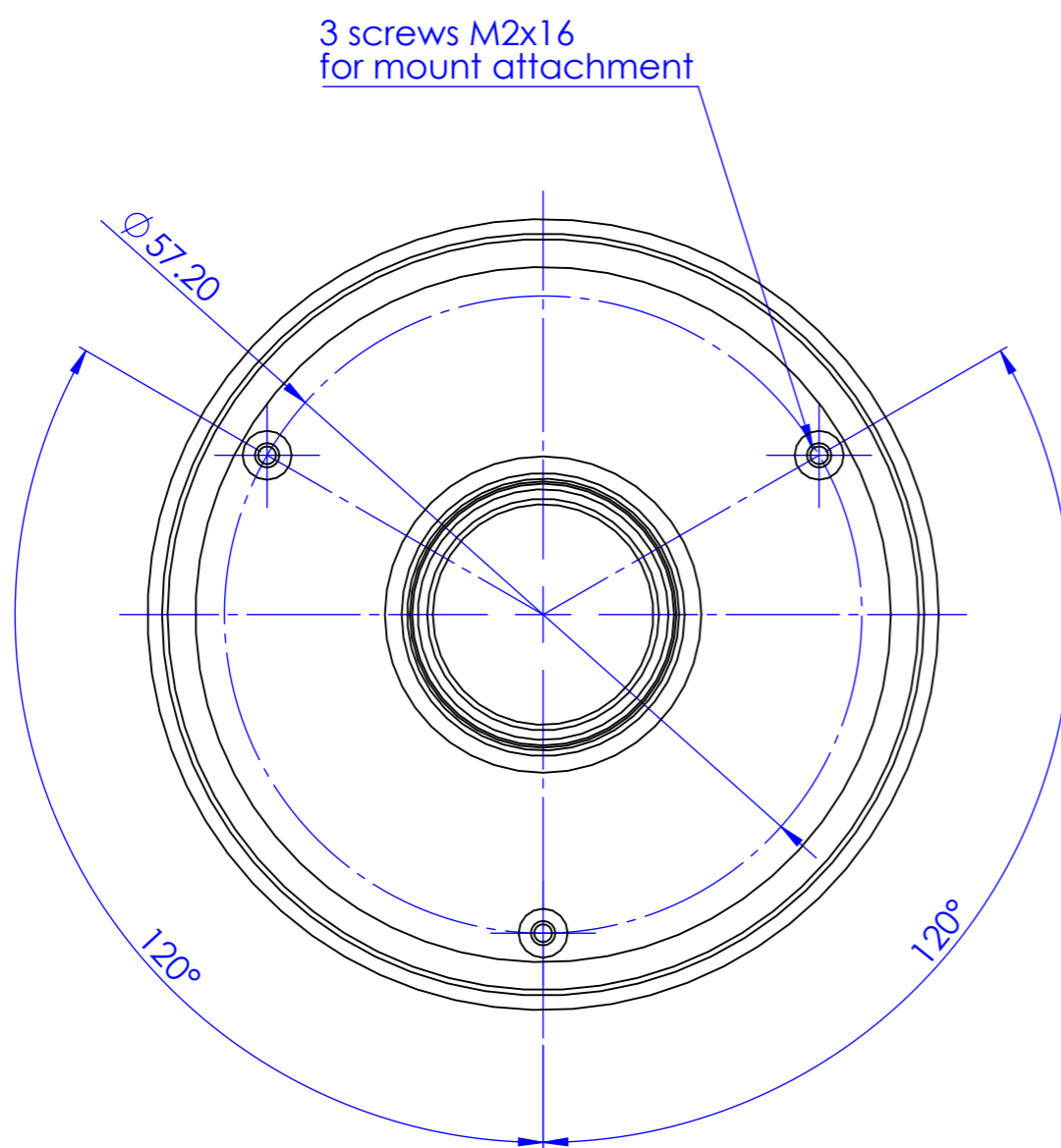
all dimensions are in mm

Maximum working distance +inf



Material		N.A.		Mass		g		Scale		1.5:1	
Surface treatment		N.A.		Part No.		CO71263					
Geometrical tolerance (ISO 2768-2)								Class		K	
Linear tolerance (ISO 2768-2)								Class		m	
0.5 ±3	>3± 6	>6± 30	>30± 120	>120 ±400	>400± 1000	>1000 ±2000	>2000 ±4000	Undimensioned bevels	0.5x45°	Description	
±0.1	±0.1	±0.2	±0.3	±0.5	±0.8	±1.2	±2	Undimensioned radii	R 0.5	SW03520	
 OPTO ENGINEERING S.r.l. - Mantova Italy - Tel. +39 0376 699111 - www.opto-engineering.com		Date		Name		Drawing No.		Sheet			
		Designed		Rodella		DP 71263-B		2/3			
		Drawn		Rodella							
Checked		23/01/2020		Vasconetto							
<i>Secret and confidential - All rights reserved - No copy, dissemination or circulation is allowed unless specifically authorized in writing by OPTO ENGINEERING S.r.l. - Any violation shall be legally prosecuted.</i>											

all dimensions are in mm



Material		N.A.		Mass		g		Scale		1.5:1	
Surface treatment		N.A.		Part No.		CO71263					
Geometrical tolerance (ISO 2768-2)		Class		K		Undimensioned bevels		0.5x45°			
Linear tolerance (ISO 2768-2)		Class		m		Undimensioned radii		R 0.5			
0.5	>3	>6	>30	>120	>400	>1000	>2000	Description SW03520			
±3	6	30	120	±400	±1000	±2000	±4000				
±0.1	±0.1	±0.2	±0.3	±0.5	±0.8	±1.2	±2				
		Date		Name		Drawing No.		Sheet			
		Designed		29/10/2015		Rodella		DP 71263-B			
		Drawn		29/10/2015		Rodella		3/3			
		Checked		23/01/2020		Vasconetto		<i>Secret and confidential - All rights reserved - No copy, dissemination or circulation is allowed unless specifically authorized in writing by OPTO ENGINEERING S.r.l. - Any violation shall be legally prosecuted.</i>			
OPTO ENGINEERING S.r.l. - Mantova Italy - Tel. +39 0376 699111 - www.opto-engineering.com											

all dimensions are in mm